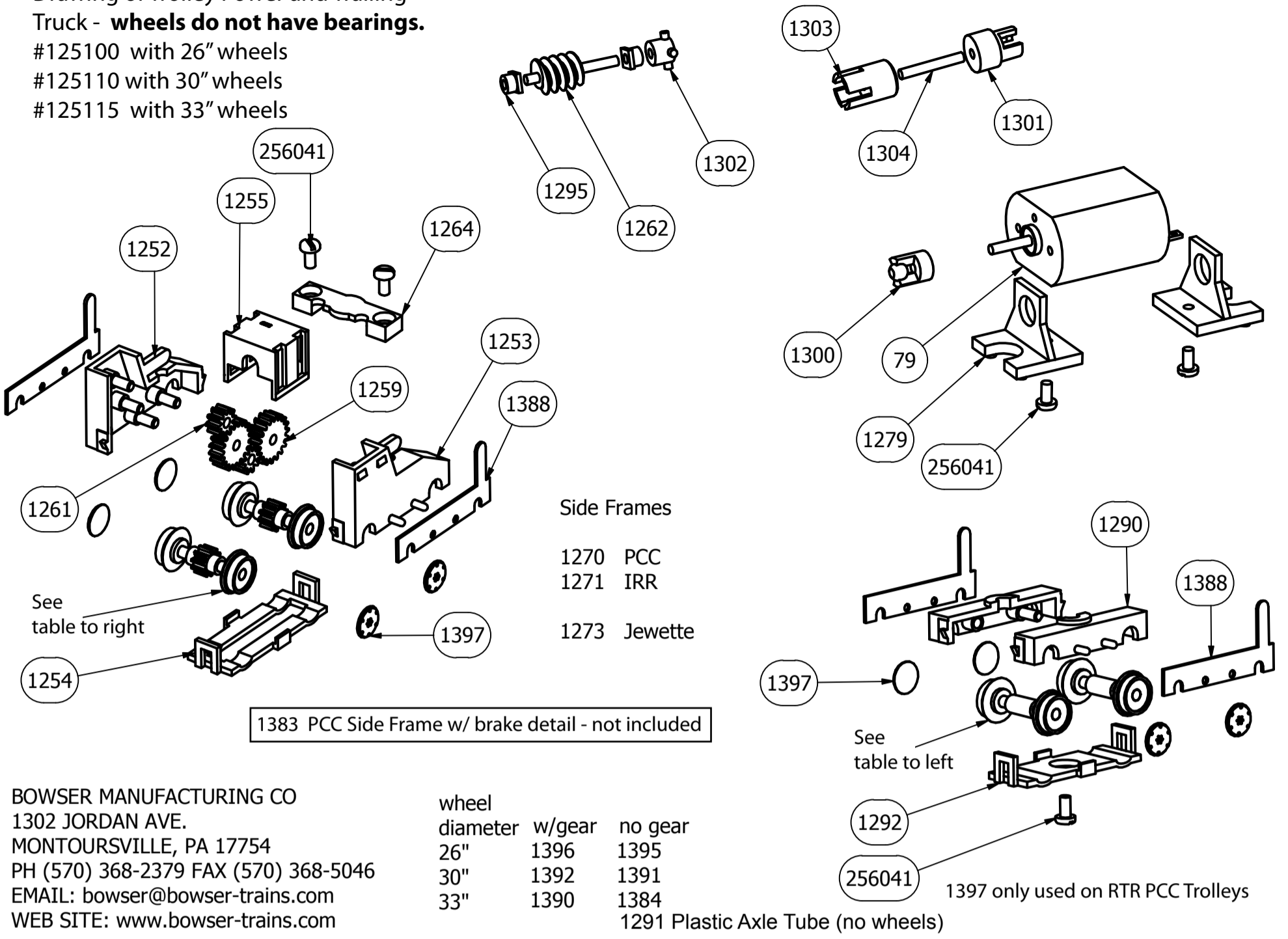


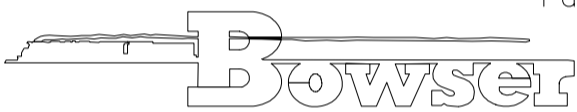
**Drawing of Trolley Power and Trailing Truck - wheels do not have bearings.**

- #125100 with 26" wheels
- #125110 with 30" wheels
- #125115 with 33" wheels



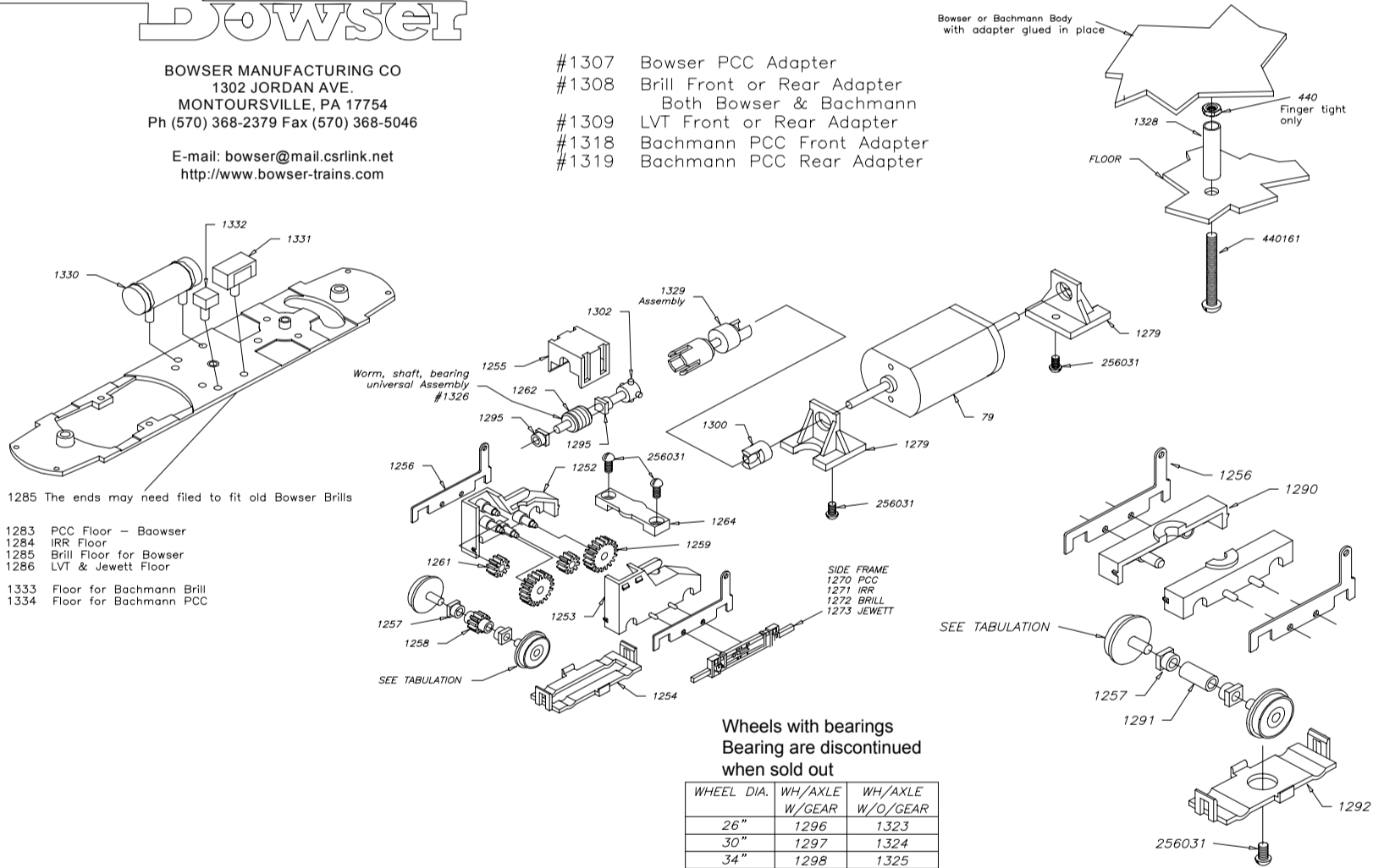
**BOWSER MANUFACTURING CO**  
 1302 JORDAN AVE.  
 MONTOURSVILLE, PA 17754  
 PH (570) 368-2379 FAX (570) 368-5046  
 EMAIL: bowser@bowser-trains.com  
 WEB SITE: www.bowser-trains.com

wheel diameter	w/gear	no gear
26"	1396	1395
30"	1392	1391
33"	1390	1384



**BOWSER MANUFACTURING CO**  
 1302 JORDAN AVE.  
 MONTOURSVILLE, PA 17754  
 Ph (570) 368-2379 Fax (570) 368-5046  
 E-mail: bowser@mail.csrlink.net  
 http://www.bowser-trains.com

**Parts drawing for #125141, 125142, 125143, 125144, 125145, 125146  
 #125210, 125220, 125230, 125240, 125250**



**Original Style Mechanism - Parts are discontinued when sold out**

